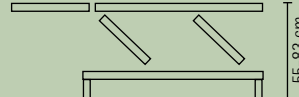
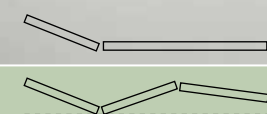
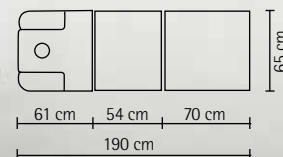


THERAPEUTIC TABLES

- electric or hydraulic therapeutic tables
- ergonomically designed
- stabile, with different settings
- different colors

ELECTRIC TABLE FIZIO - 3 part

HYDRAULIC TABLE FIZIO - 3 part



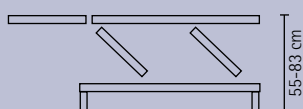
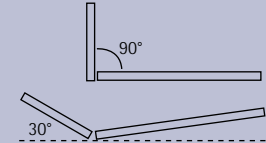
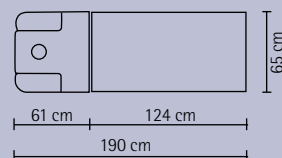
COLOR	ELECTRIC	HYDRAULIC
White	3900 812	33900 806
Green	3900 813	33900 807
Blue	3900 814	33900 808

Dimensions: 190cm x 65cm x 83cm (L x W x H)
Weight: 74kg



ELECTRIC TABLE FIZIO - 2 part

HYDRAULIC TABLE FIZIO - 2 part



COLOR	ELECTRIC	HYDRAULIC
White	3900 803	33900 809
Green	3900 804	33900 810
Blue	3900 805	33900 811

Dimensions: 190cm x 65cm x 83cm (L x W x H)
Weight: 74kg

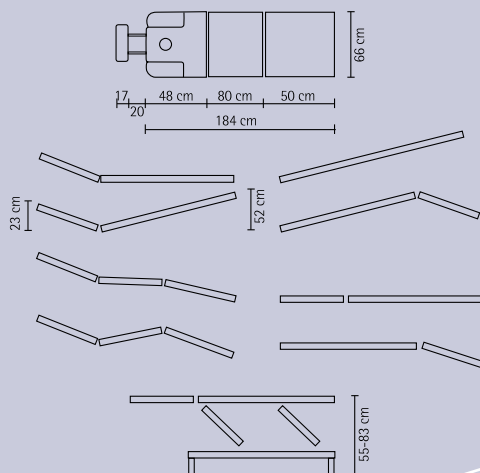


ELECTRIC TABLE REHA - 3 part

Code: 33900 208

Dimensions: 184cm x 66cm x 83cm (L x W x H)

Weight: 63kg

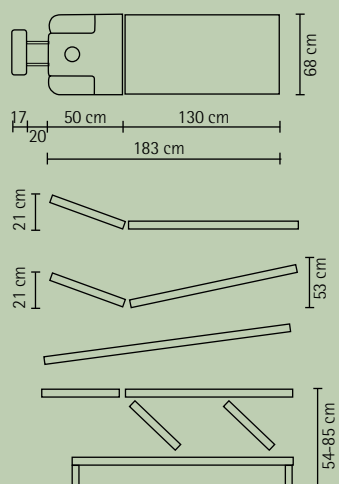


ELECTRIC TABLE REHA - 2 part

Code: 3900 200

Dimensions: 183cm x 68cm 85cm
(L x W x H)

Weight: 59 kg



THERAPEUTIC TABLE X - 2 part

Code: 33900 163

Dimensions: 187cm x 70cm x 60cm (L x W x H)

Weight: 43kg



DISTRIBUTOR:

PRODUCER:

Green Medical d.o.o.

Otoče 5a, 4244 Podnart, Slovenia

P: +386 4 53 25 762, F: +386 4 53 25 718

E: info@greenmedical.eu, W: www.iskramedical.eu